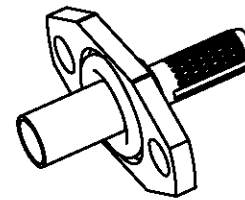
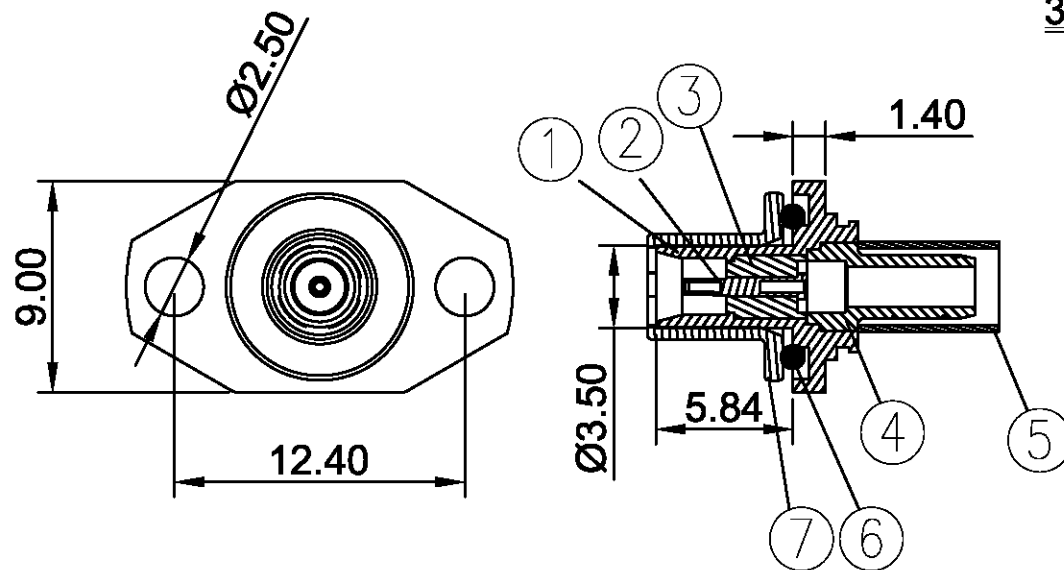


| Version | Description of Change | Date       | Drawn by |
|---------|-----------------------|------------|----------|
| A0      | NEW                   | 2020.10.31 | 王明灯      |



**3D View**



Notes:

Insulation Resistance:1000MΩ Min.

Dielectric Withstanding Voltage:500V DC

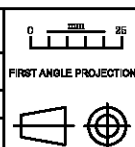
Contact Resistance:10mΩ Max.

Un-mating force (with lock): 110N Min.

Operating Temperature:-40°C to +105°C

|     |             |     |                      |                 |        |       |
|-----|-------------|-----|----------------------|-----------------|--------|-------|
| ⑦   | A-P4017-1-3 | 1   | <b>CAP</b>           | PBT             | /      |       |
| ⑥   | A-P4017-1-2 | 1   | <b>O-RING</b>        | Silicone        | /      |       |
| ⑤   | A-T4017-1-4 | 1   | <b>Circular Tube</b> | Brass           |        |       |
| ④   | A-T4017-1-3 | 1   | <b>shell</b>         | Brass           | /      |       |
| ③   | A-P4017-1-1 | 1   | <b>Insulator</b>     | PTFE            | /      |       |
| ②   | A-T4017-1-2 | 1   | <b>Terminal</b>      | phosphor copper | /      |       |
| ①   | A-T4017-1-1 | 1   | <b>shell</b>         | Brass           |        |       |
| S/N | HRB P/N     | QTY | description          | materials       | colour | Notes |

| Part number<br>(料号)        | Version<br>(版本) | Date<br>(日期) |
|----------------------------|-----------------|--------------|
| A-M4017-1-1                | A0              | 2020.10.31   |
| Title (名称)                 |                 |              |
| SMB Female Product Drawing |                 |              |



| UNIT:mm                  |                          |
|--------------------------|--------------------------|
| Tolerance:<br>.XXX ±0.15 | Angular Dim.<br>.XX° ±1° |
| .XX ±0.20                | .X° ±2°                  |
| X ±0.25                  | X° ±3°                   |



东莞市鸿儒连接器有限公司  
HongRu Connectors Co.,Ltd.

| Drawn by<br>(制图) | Confirmed by<br>(审核) | Approved by<br>(核准) |
|------------------|----------------------|---------------------|
| Tina             | Miki                 | David               |