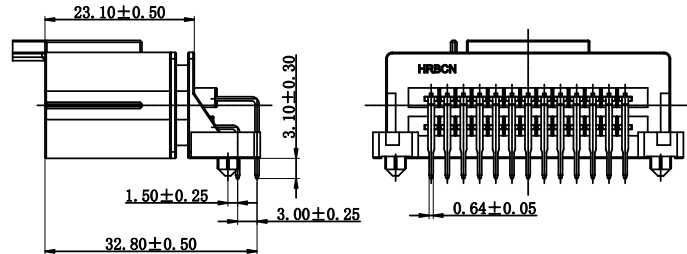
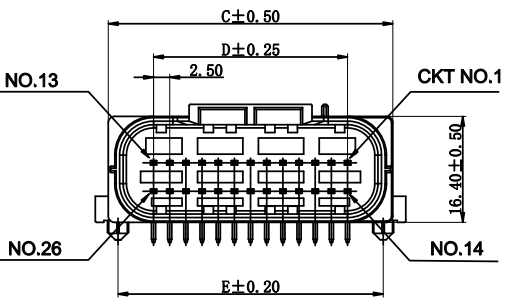
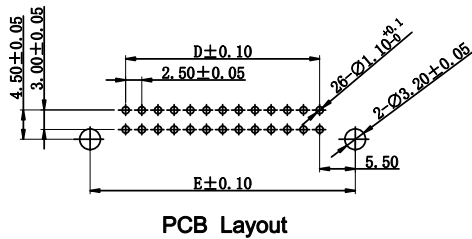
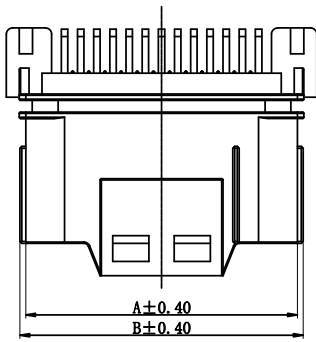


1	2	3	4	5	6	7	8	
页数(Page No.)	1/1	Used By:	HRB	Version 版次	Engineer Change No ECN编码	Change Description 变更描述	Date 日期	Approved by 审核
				A	---	初版发行	01/07-'22	Yi Xiaoxu

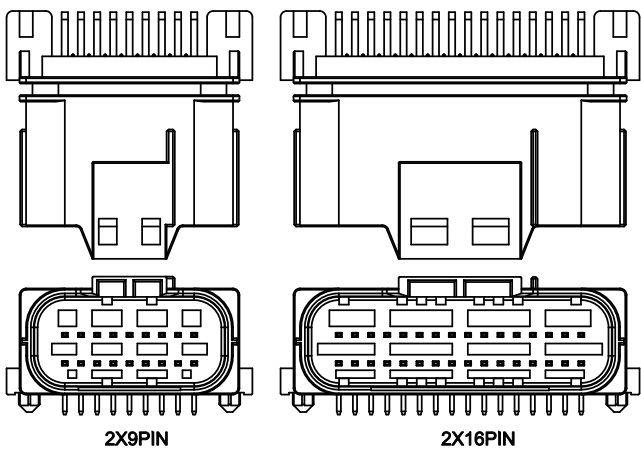
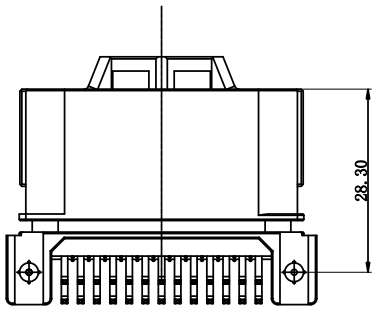


NOTES

- *Material
Body: PBT, UL 94V-0 BLACK/GRAY .
Contacts: Brass.
Contact Plating: Tin Plating.
- *Electrical Specification
Contact Resistance: 10 mΩ Max.
Dielectric Withstanding Voltage:
1000 VDC/Minute.
Current Rating: 3 Ampere Max.
Insulation Resistance: 100 MΩ min.
Operating Temperature: - 40°C To +125°C.

Part No. :M2531R-2xN-*

Color:B:Black G:Gray
Pin No.:2x9PIN~2X17PIN

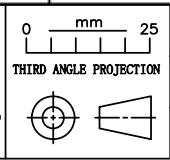


Circuit No.	A	B	C	D	E
2x9	32.0	33.8	34.0	20.0	31.0
2x12	39.5	41.3	41.5	27.5	38.5
2x13	42.0	43.8	44.0	30.0	41.0
2x16	49.5	51.3	51.5	37.5	48.5
2x17	52.0	53.8	54.0	40.0	51.0

料号 (Part No.)	M2531R-2xN-C (COLOR)		
产品名称 (Product Name)	2.5PH 卧式板端2xN Pin DIP 90° CONN		
比例 (Scale)	1:1	版本 (Version)	A

UNIT:mm	
Tolerance:	Angular Dim.
.XXX ±0.10	.XX° ±1°
.XX ±0.20	.X° ±2°
.X ±0.30	X.° ±3°

HRB 东莞市鸿儒连接器有限公司
HRBCN Hong Ru Connectors(DG) Co.,Ltd.



核准 Approved:	日期 Date:
审核 Checked:	日期 Date:
设计 Designed:	日期 Date: 01/07-'22