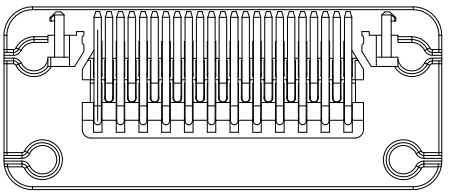


A0		NEW	2021.9.9	CML
----	--	-----	----------	-----

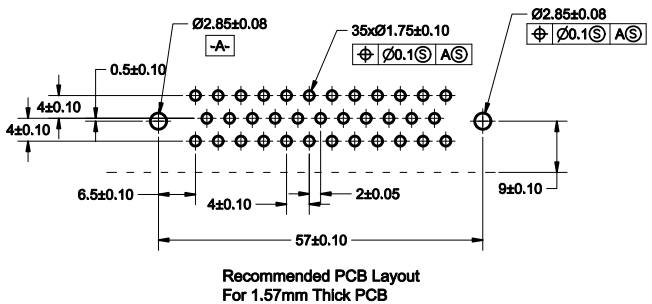
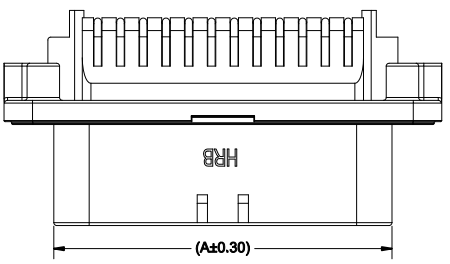


Part No. :
A-P4021R-N-C-*

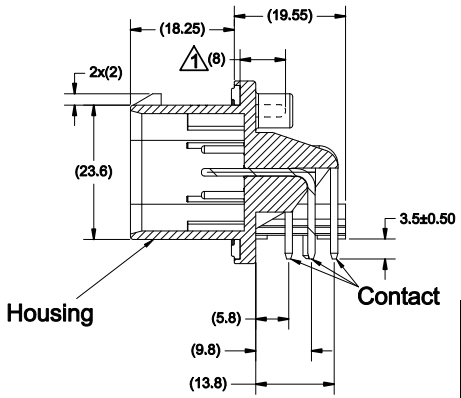
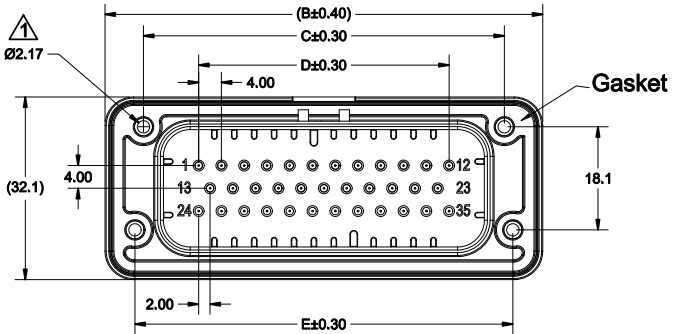
- Blank: Tin Plated
- 03H: Au 5u"
- Color: B: Black
- N: Natural
- G: Gray
- BU: Blue
- O: Orange

Pin No.: 08: 8Pin
14: 14Pin
23: 23Pin
35: 35Pin

⚠ Suggested mounting screw size is $\phi 2.50-3.00$ mm self tapping thread forming screw, to be driven at 0.6-0.8N-m, the customer should test the screw size and type in order to verify their selection for their application.



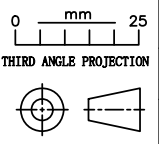
- 2 Materials: Header housing- PBT
Pin- Tin plating brass
Gasket- silicone
- 3 Housing colors are mechanically keyed to mate only with identically colored plug assemblies.
- 4 *Electrical Specification
Contact Resistance: 10 mΩ Max.
Dielectric Withstanding Voltage: 1000 VAC/Minute.
Current Rating: 6 Ampere Max. (AWG16#)
4.5 Ampere Max. (AWG18#)
3 Ampere Max. (AWG20#)
Voltage Rating: 250V AC/DC Max.
Insulation Resistance: 100 MΩ min.
Operating Temperature: - 40°C To +105°C



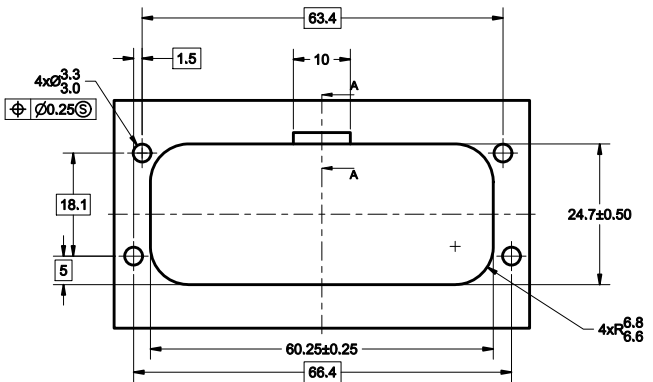
Circuit No.	A	B	C	D	E
8Pin	23.4	40.9	27.4	8.0	30.4
14Pin	31.4	48.9	35.4	16.0	38.4
23Pin	43.4	60.9	47.4	28.0	50.4
35Pin	59.4	76.9	63.4	44.0	66.4

料号 (Part No.)	A-M4021R-N-C (COLOR)	UNIT:mm	
产品名称 (Product Name)	4.0PH 板端2xN Pin DIP 90° CONN	Tolerance: .XXX ±0.10 .XX ±0.20 .X ±0.30	Angular Dim. .XX° ±1° .X° ±2° X.° ±3°
比例(Scale)	1:1	版本(Version)	A0

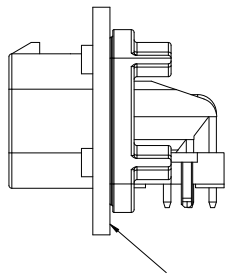
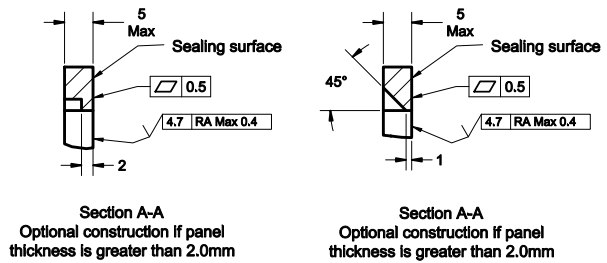
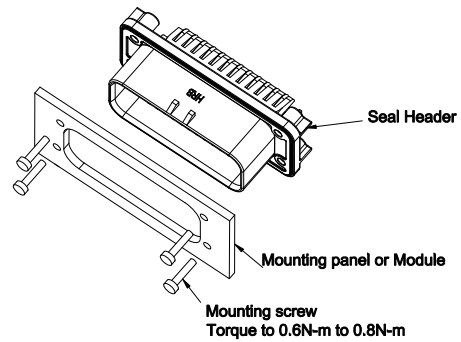
东莞市鸿儒连接器有限公司
Hong Ru Connectors(DG) Co.,Ltd.



核准 Approved:		日期 Date:	
审核 Checked:		日期 Date:	
设计 Designed:	Yi Xiao Xu	日期 Date:	2021.9.9



Recommended Mounting Hole Layout For 5.0mm Thick Panel



Ensure the header is flush to the panel face all around before tightening to final torque

Key coding		
Part No.	A-M4021R-8-B	A-M4021R-8-N
Color	Black	Natural

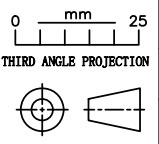
Key coding				
Part No.	A-M4021R-14-B	A-M4021R-14-N	A-M4021R-14-G	A-M4021R-14-Bu
Color	Black	Natural	Gray	Blue
Key coding				
Part No.	A-M4021R-23-B	A-M4021R-23-N	A-M4021R-23-G	A-M4021R-23-Bu
Color	Black	Natural	Gray	Blue

Key coding					
Part No.	A-M4021R-35-B	A-M4021R-35-N	A-M4021R-35-G	A-M4021R-35-Bu	A-M4021R-35-O
Color	Black	Natural	Gray	Blue	Orange

料号 (Part No.)	A-M4021R-N-C (COLOR)		UNIT:mm	
产品名称 (Product Name)	4.0PH 板端2xN Pin DIP 90° CONN		Tolerance: .XXX ±0.10 .XX ±0.20 .X ±0.30	Angular Dim. .XX° ±1° .X° ±2° X.° ±3°
比例(Scale)	1:1	版本(Version)	A0	



东莞市鸿儒连接器有限公司
Hong Ru Connectors(DG) Co.,Ltd.



核准 Approved:	日期 Date:
审核 Checked:	日期 Date:
设计 Designed:	日期 Date: 2021.9.9