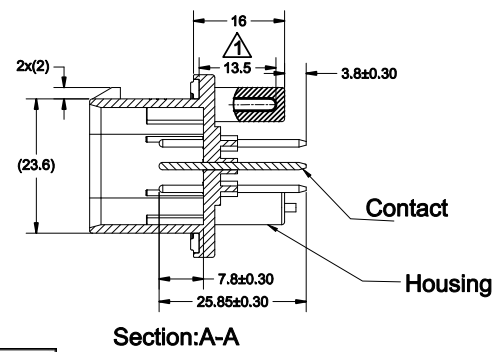
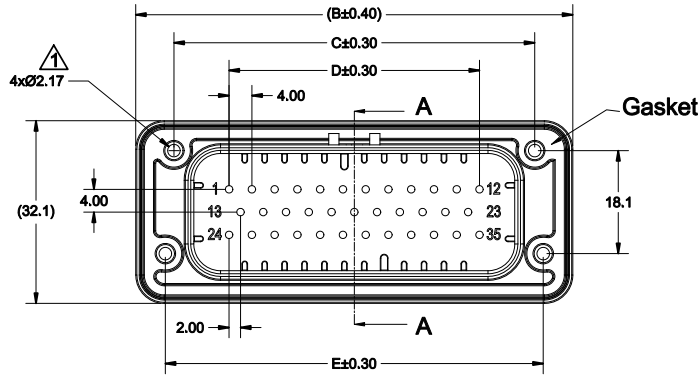
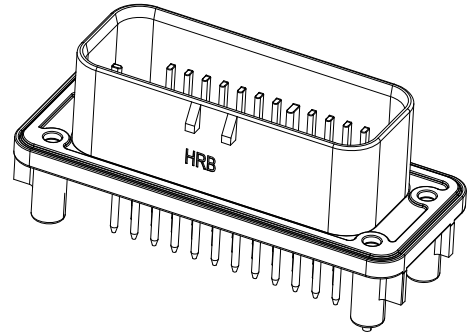
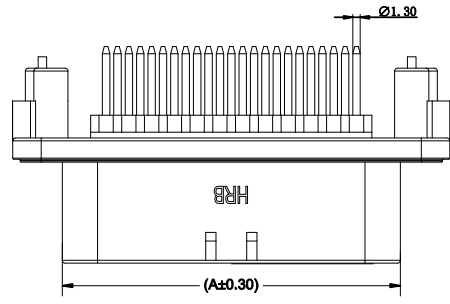
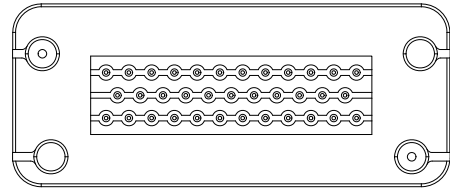


Part No.: A-M4021-N-C

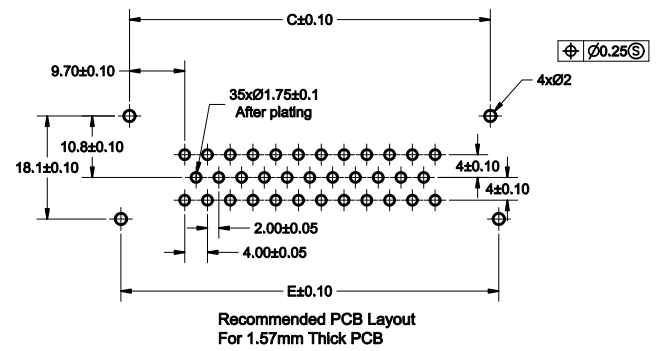
Color: B:Black  
N:Natural  
G:Gray  
BU:Blue  
O:Orange

Pin No.: 08:8Pin  
14:14Pin  
23:23Pin  
35:35Pin



△ Suggested mounting screw size is  $\phi 2.50-3.00$ mm self tapping thread forming screw, to be driven at 0.6-0.8N-m, the customer should test the screw size and type in order to verify their selection for their application.

- 2 Materials: Header housing- PBT  
Pin- Tin plating brass  
Gasket- silicone
- 3 Housing colors are mechanically keyed to mate only with identically colored plug assemblies.
- 4 \*Electrical Specification  
Contact Resistance: 10 m $\Omega$  Max.  
Dielectric Withstanding Voltage: 1000 VAC/Minute.  
Current Rating: 6 Ampere Max. (AWG16#)  
4.5 Ampere Max. (AWG18#)  
3 Ampere Max. (AWG20#)  
Voltage Rating: 250V AC/DC Max.  
Insulation Resistance: 100 M $\Omega$  min.  
Operating Temperature: - 40°C To +105°C



| Circuit No. | A    | B    | C    | D    | E    |
|-------------|------|------|------|------|------|
| 8Pin        | 23.4 | 40.8 | 27.4 | 8.0  | 30.4 |
| 14Pin       | 31.4 | 48.8 | 35.4 | 16.0 | 38.4 |
| 23Pin       | 43.4 | 60.8 | 47.4 | 28.0 | 50.4 |
| 35Pin       | 59.4 | 76.8 | 63.4 | 44.0 | 66.4 |

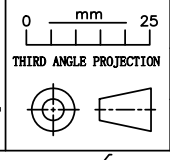
|                     |                               |              |    |
|---------------------|-------------------------------|--------------|----|
| 料号 (Part No.)       | A-M4021-N-C (COLOR)           |              |    |
| 产品名称 (Product Name) | 4.0PH 板端2xN Pin DIP 180° CONN |              |    |
| 比例 (Scale)          | 1:1                           | 版本 (Version) | A0 |

| UNIT:mm         |                    |
|-----------------|--------------------|
| Tolerance:      | Angular Dim.       |
| .XXX $\pm 0.10$ | .XX° $\pm 1^\circ$ |
| .XX $\pm 0.20$  | .X° $\pm 2^\circ$  |
| .X $\pm 0.30$   | X.° $\pm 3^\circ$  |

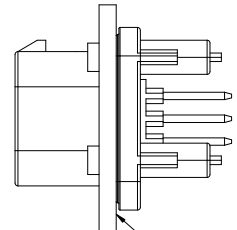
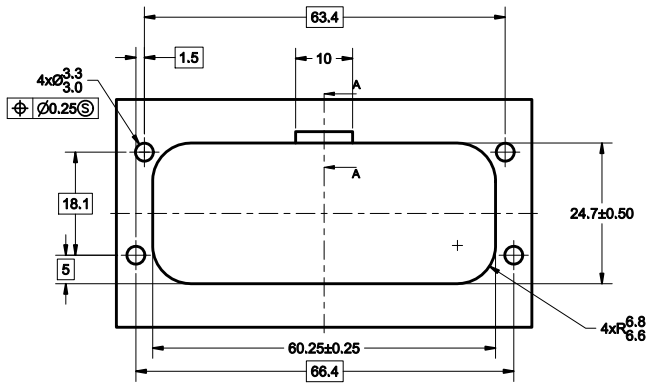
**HRB**  
**HRBCN**

东莞市鸿儒连接器有限公司

Hong Ru Connectors(DG) Co.,Ltd.

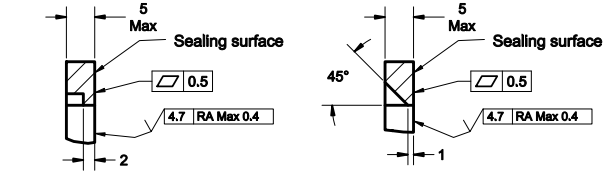


|                |            |            |          |
|----------------|------------|------------|----------|
| 核准 (Approved): |            | 日期 (Date): |          |
| 审核 (Checked):  |            | 日期 (Date): |          |
| 设计 (Designed): | Yi Xiao Xu | 日期 (Date): | 2021.9.9 |

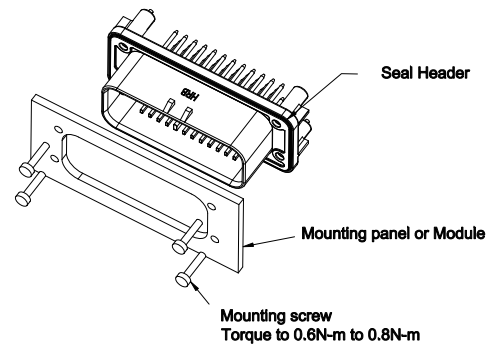


Ensure the header is flush to the panel face all around before tightening to final torque

Recommended Mounting Hole Layout For 5.0mm Thick Panel



Section A-A Optional construction if panel thickness is greater than 2.0mm



|            |             |             |
|------------|-------------|-------------|
| Key coding |             |             |
| Part No.   | A-M4021-8-B | A-M4021-8-N |
| Color      | Black       | Natural     |

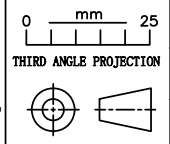
|            |              |              |              |               |
|------------|--------------|--------------|--------------|---------------|
| Key coding |              |              |              |               |
| Part No.   | A-M4021-14-B | A-M4021-14-N | A-M4021-14-G | A-M4021-14-Bu |
| Color      | Black        | Natural      | Gray         | Blue          |
| Key coding |              |              |              |               |
| Part No.   | A-M4021-23-B | A-M4021-23-N | A-M4021-23-G | A-M4021-23-Bu |
| Color      | Black        | Natural      | Gray         | Blue          |

|            |              |              |              |               |              |
|------------|--------------|--------------|--------------|---------------|--------------|
| Key coding |              |              |              |               |              |
| Part No.   | A-M4021-35-B | A-M4021-35-N | A-M4021-35-G | A-M4021-35-Bu | A-M4021-35-O |
| Color      | Black        | Natural      | Gray         | Blue          | Orange       |

|                        |                                  |              |    |
|------------------------|----------------------------------|--------------|----|
| 料号<br>(Part No.)       | A-M4021-N-C (COLOR)              |              |    |
| 产品名称<br>(Product Name) | 4.0PH 板端2xN Pin DIP<br>180° CONN |              |    |
| 比例 (Scale)             | 1:1                              | 版本 (Version) | A0 |

|            |              |
|------------|--------------|
| UNIT:mm    |              |
| Tolerance: | Angular Dim. |
| .XXX ±0.10 | .XX° ±1°     |
| .XX ±0.20  | .X° ±2°      |
| .X ±0.30   | X.° ±3°      |

**HRB** 东莞市鸿儒连接器有限公司  
**HRBCN** Hong Ru Connectors(DG) Co.,Ltd.



|              |            |          |          |
|--------------|------------|----------|----------|
| 核准 Approved: |            | 日期 Date: |          |
| 审核 Checked:  |            | 日期 Date: |          |
| 设计 Designed: | Yi Xiao Xu | 日期 Date: | 2021.9.9 |