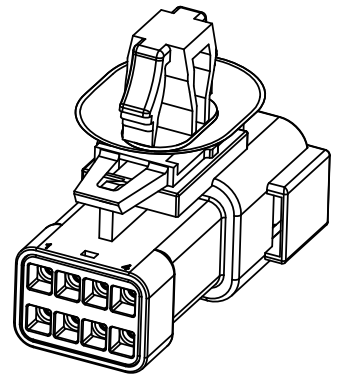
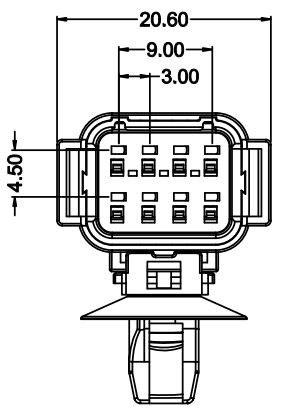
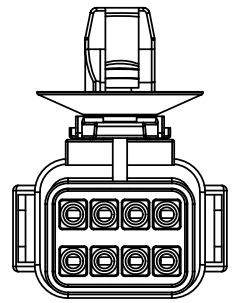
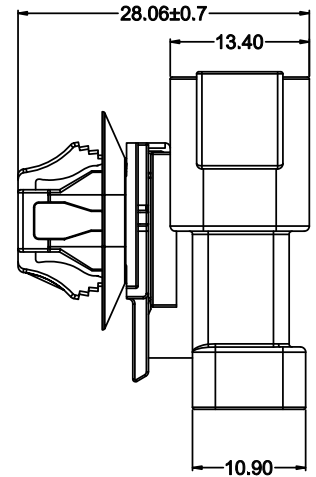
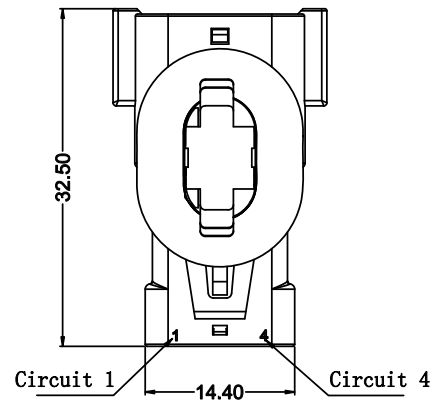


A	B	C	D	E	F
A	B	C	D	E	F



3D View



Panel Notes:  
 Hole Size 适用孔径: 7x12mm  
 Panel Thickness 适用板厚: 0.7-2mm

NOTES

**\*Material**

Housing: PBT UL94V-0 Color: White.;  
 Card Buckle: Polyurethane Black  
 Seal ring: Silicon rubber;  
 Seal ring holder : PBT UL94V-0 ;  
 Seal plug: Silicon rubber;  
 Seal plug holder : PBT UL94V-0;  
 Contacts: Copper Alloy;  
 Contact Plating: Tin Plating Over Ni On Contact Area

**\*Electrical Specification**

Contact Resistance: 20 mΩ Max.  
 Dielectric Withstanding Voltage: 1500 VAC One Minute.  
 Current Rating: 10.0 Ampere Max (AWG 18#).  
 Voltage Rating: 250V AC/DC Max.  
 Insulation Resistance: 1000 MΩ min.  
 Operating Temperature: -40°C To +105°C.  
 Waterproof Grade: IP67  
 Used With: T30033WPPS-2  
 Mate With: M30032WP-2x4-W  
 Part No.: M30033WP-2x4-W-K

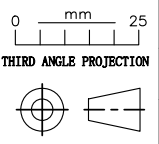
└─ K: With card buckle  
 └─ Color: W: White  
 └─ Pin No.: Pin No.: 2x4PIN

料号 (Part No.)	M30033WP-2x4-W-K		
产品名称 (Product Name)	Water Proof 3.0 Pitch Female (NxN) Pin		
比例 (Scale)	1:1	版本 (Version)	A

UNIT:mm	
Tolerance:	Angular Dim.
.XXX ±0.10	.XX° ±1°
.XX ±0.20	.X° ±2°
.X ±0.30	X.° ±3°



东莞市鸿儒连接器有限公司  
 Hong Ru Connectors(DG) Co.,Ltd.



核准 Approved:		日期 Date:	08/06-'22
审核 Checked:		日期 Date:	08/06-'22
设计 Designed:	Yi Xiao Xu	日期 Date:	08/06-'22